

# ROLLER AND SOLAR SHADES

## Table of Contents

### Features

Features, Benefits . . . . .	2
Roller Shade Fabrics . . . . .	3 - 4
Light Control and Privacy: Roller Shade Fabrics . . . . .	5
Solar Shade Fabrics . . . . .	5
Fabric Recommendations, Fabric Disclaimers, Fabric Width, Light Gap, Cleaning and Care Information, Large Window Sizing, Pattern Alignment, Fabric Certifications . . . . .	6

### Size Considerations

Minimum/Maximum Shade Size . . . . .	7
Mounting Depth . . . . .	7

### Options

Reverse Roll, Projection Brackets . . . . .	8
Continuous Loop Lift . . . . .	8
Cordless Lift . . . . .	9
Motorized Lift . . . . .	10
Cassette Valance, Fascia, Spring Assist . . . . .	11
Insert Fabric Valance, Hem Bar, Blackout Channels . . . . .	12

### General Information

Cordless Lift Shade Product Detail . . . . .	13
Continuous Loop Lift Shade Product Detail . . . . .	14

## PLEASE NOTE:

Photos and illustrations are for inspiration only.

Not all product configurations are available in all countries.

Window blind cords are a strangulation hazard for young children.

Consult your dealer or store associate for cordless products, or products with inaccessible cords. Remove this product immediately if a cord longer than 22 cm, or a loop exceeding 44 cm, becomes accessible.

**MAY 2025**

## Features

Features	Benefits
Continuous Loop Lift (U.S. ONLY)	<ul style="list-style-type: none"> <li>• Beaded chain and clutch system make raising and lowering shade easy</li> <li>• Beaded chain remains at same length, regardless of shade position</li> <li>• Hold down device keeps chain taut for enhanced safety</li> <li>• Choose left or right chain location</li> <li>• Optional cassette valance with fabric insert or fabric insert valance</li> </ul>
Cordless Lift	<ul style="list-style-type: none"> <li>• Streamlined appearance with no chains; ideal for homes with children or pets</li> <li>• Upgrade to Deluxe for cordless options that offer adjustable tension</li> <li>• Color coordinated tassels facilitate easy operation and keep fabrics clean</li> <li>• Optional cassette valance with fabric insert, fascia or inserted fabric valance</li> </ul>
Motorized Lift	<ul style="list-style-type: none"> <li>• Window treatments can be operated from virtually anywhere in the home</li> <li>• Provides easy operation of hard-to-reach or larger windows</li> <li>• Operate multiple window treatments simultaneously or individually</li> </ul>
Deluxe Cordless Lift	<ul style="list-style-type: none"> <li>• Sleek look with no chains, making it the perfect solution for homes with children and pets</li> <li>• Tension can be manually adjusted so user can raise shades at desired speed</li> </ul>
Options	<ul style="list-style-type: none"> <li>• Turning fabric width for height accommodates larger windows; available on select fabrics</li> <li>• Reverse roll: fabric rolls over the front of tube; standard: material rolls over the back</li> <li>• Hem bar: heat sealed (standard) or fabric wrapped (surcharge option)</li> <li>• Motorized Lift</li> <li>• Steel chain for Continuous Loop Lift</li> <li>• Fascia available in 3" and 4" heights</li> <li>• Side and sill channels</li> </ul>
Warranty	<ul style="list-style-type: none"> <li>• Limited lifetime warranty; five-year warranty on motorization components</li> </ul>

# Features

## Roller Shade Fabrics

- Offer a solution for light control (sheer to blackout fabrics)
- Any room or decorating style
- Block damaging UV rays
- "Fabric Width" is only a representation of the unfinished roll's usable width. See max/min tables for product size offerings.

## Fabric Styles and Information: Roller Shade Fabrics

Collection Name	Color Name	Legacy Mariak Color Number	Current Color Number	Fabric Composition	Opacity or Openness	Fabric Width	Motorization Fabric Group	Railroad	Flame Retardant	Greenguard Certified
7500 Blackout	Almost White	R14	P0065	45% Polyester/ 55% Acrylic	Blackout	116"	C	No	Yes	Yes
	Black	R22	P0686							
	Grey	R17	P0995							
	Navajo	R16	P0683							
	Raw Umber	R21	P0685							
	Sand	R18	P0228							
	Skyline	R20	P0680							
	Spun White	R15	P0682							
	Taupe	R19	P0684							
	White	R13	P0681							
Amelia	Smoky	P2601	P2601	100% Polyester	Light Filtering	91"	A	No	No	No
	Millet	P2602	P2602							
	Wheat	P2605	P2605							
EconoScreen 1%	Black	ECN1-901	P1910	75% PVC/ 25% Polyester	1% Openness	116"	D	Yes	Yes	Yes
	Bronze/Black	ECN1-902	P1911							
	Grey/Black	ECN1-903	P1912							
	Grey/Sandstone	ECN1-203	P1909							
	Sandstone	ECN1-201	P1908							
	Snow Grey	ECN1-904	P1913							
	White	ECN1-001	P1906							
	White/Sandstone	ECN1-002	P1907							
EconoScreen 3%	Black	ECN3-901	P3205	75% PVC/ 25% Polyester	3% Openness	116"	C	Yes	Yes	Yes
	Bronze/Black	ECN3-902	P3206							
	Grey/Black	ECN3-903	P3207							
	Grey/Sandstone	ECN3-203	P3203							
	Sandstone	ECN3-201	P3201							
	Snow Grey	ECN3-904	P3208							
	White	ECN3-001	P3202							
	White/Sandstone	ECN3-002	P3204							
EconoScreen 5%	Black	ECN5-901	P5016	75% PVC/ 25% Polyester	5% Openness	116"	C	Yes	Yes	Yes
	Bronze/Black	ECN5-902	P5017							
	Grey/Black	ECN5-903	P5018							
	Grey/Sandstone	ECN5-203	P5015							
	Sandstone	ECN5-201	P5014							
	Snow Grey	ECN5-904	P5019							
	White	ECN5-001	P5012							
	White/Sandstone	ECN5-002	P5013							
Fine Lines	White	FINELN WHT	P0099	100% Polyester	Sheer	90"	A	No	No	No
Genoa (PVC Free)	Chocolate	GNOA400	P9940	100% Polyester	Light Filtering	105"	A	No	No	No
	Mushroom	GNOA200	P9920							
	Rustic Brown	GNOA300	P9930							
Greyson	Flaxen	P1183	P1183	100% Polyester	Light Filtering	92"	A	No	No	No
	Flagstone Grey	P1181	P1181							
	Flint	P1182	P1182							
	White Sand	P1187	P1187							
Jerusalem (PVC Free)	Bronze	JRSLM003	P0993	100% Polyester	Room Darkening	69"	B	No	No	No
	Gold	JRSLM002	P0992							
	Gray	JRSLM004	P0994							
	Silver	JRSLM001	P0991							

**NOTE:** A black line may appear on front and back side of shade due to fabric and seaming process.

## Features

### Fabric Styles and Information: Roller Shade Fabrics

Collection Name	Color Name	Legacy Mariak Color Number	Current Color Number	Fabric Composition	Opacity or Openness	Fabric Width	Motorization Fabric Group	Railroad	Flame Retardant	Greenguard Certified
Kyra	Coffee	P0804	P0804	100% Polyester	Light Filtering	71"	A	Yes	No	No
	Sand	P0802	P0802							
	Cloud	P0801	P0801							
Lyla	Champagne	P9201	P9201	15% Polyester/ 85% Vinyl on Polyester	4% Openness	96"	C	No	Yes	Yes
	Cockatiel Grey	P9202	P9202							
	Spice	P9203	P9203							
Matte Vinyl	Beige	MATTE 933	P0933	1-Ply Fiber Glass/ Laminated 3-Ply PVC	Blackout	69"	C	Yes	Yes	No
	Black/Black	MATTE 930B	P0930							
	Fawn	MATTE 934	P0934							
	Grey/Grey	MATTE 909G	P0909							
	Linen	MATTE 926	P0926							
	White	MATTE 900	P0910							
Milan	Chocolate	MILAN7579	P7579	100% Polyester	Light Filtering	69"	A	No	No	No
	Gray	MILAN6901	P6907							
	Meringue	MILAN9315	P9315							
	Shadow White	MILAN5404	P5404							
	Taupe	MILAN9691	P9691							
Mina	Timber	P0442	P0442	23.8% Polyester/ 76.2% Vinyl on Polyester	7% Openness	96"	D	Yes	Yes	Yes
	Bamboo Mat	P0443	P0443							
	Thicket	P0444	P0444							
Rosalie	Dark Beige	P0504	P0504	22% Polyester/ 78% Vinyl on Polyester	14% Openness	95"	C	No	Yes	Yes
	Natural	P9906	P9906							
	Chocolate	P0507	P0507							
	Charcoal	P3808	P3808							
Salon (PVC Free)	Cream	SALON 002	P9980	100% Polyester	Sheer	76"	A	No	No	No
	Off White	SALON 001	P9981							
Whitney LF	Black	WHTLF118 BLK	P0080	76% Polyester/ 24% Acrylic	Light Filter	116"	A	Yes	No	No
	Charcoal	WHTLF118 CRL	P0077							
	Chocolate	WHTLF118 CHT	P0076							
	Coffee	WHTLF118 CFF	P0049							
	Creme	WHTLF118 CRM	P0078							
	Ivory	WHTLF118 IVY	P0079							
	Oyster	WHTLF118 OYS	P0086							
	White	WHTLF118 WHT	P0087							
Whitney RD	Black	WHTRD118 BLK	P0090	40% Polyester/ 60% Acrylic	Room Darkening	116"	B	Yes	No	No
	Charcoal	WHTRD118 CRL	P0067							
	Chocolate	WHTRD118 CHT	P0066							
	Coffee	WHTRD118 CFF	P0064							
	Creme	WHTRD118 CRM	P0068							
	Ivory	WHTRD118 IVY	P0069							
	Oyster	WHTRD118 OYS	P0070							
	White	WHTRD118 WHT	P0097							
Woodland (PVC Free)	Cedar	WDLND9287	P9287	100% Polyester	Light Filtering	69"	B	No	No	No
	Maple	WDLND9259	P9259							
	Natural	WDLND8892	P8892							
Zurich	Almond	ZRCH 003	P0058	100% Polyester w/Foam Backing	Blackout	107"	C	No	Yes	No
	Marine	ZRCH 005	P0050							
	Milky	ZRCH 002	P0057							
	Pure White	ZRCH 001	P0056							
	Sand	ZRCH 004	P0059							
Zute (PVC Free)	Cream	ZUTE 1009	P9109	100% Polyester	Light Filtering	69"	A	No	No	No
	Toffee	ZUTE 1101	P9108							

\*Material is FR rated.

**NOTE:** A black line may appear on front and back side of shade due to fabric and seaming process.

# Features

## Light Control and Privacy: Roller Shade Fabrics

**Sheer\*:** Allows the most amount of light into the room for a minimum amount of privacy and a view to the outside. Objects in the room can be seen quite clearly through shades.

**Privacy Level:** Minimal

**Light Filtering\*:** Allows light to gently filter through and provides privacy. Images and shapes may be seen through these shades, but details are not visible. Deep fabric colors provide moderate light control, while light colors provide lower light control.

**Privacy Level:** Moderate

**Room Darkening\*:** Allows some light to filter into the room and provides privacy. Objects in a lit room seen through these shades appear as vague shapes. Deep fabric colors darken a room; light colors filter and diffuse bright sunlight.

**Privacy Level:** Complete

\*These fabrics are translucent and their colors may be influenced by changing light conditions. Colors may appear to vary depending upon the time of day and type of lighting, as well as whether the shade is partially or fully lowered.

**NOTE:** Select roller weaves may have “pinpricks” of light showing through.

**Blackout:** Prohibits light from shining through and provides maximum privacy. Prevents shadows and silhouettes from showing through the fabric. All fabric colors provide maximum light control.

**Privacy Level:** Complete

**Light Gaps:** For optimal light and glare control, outside mount is recommended. Alternatively, you may add a secondary soft window treatment (drapery or curtain) to hide the light gap on an inside mount.

**Privacy Level:** Moderate

## Solar Shade Fabrics

### Maintain an Outward View

- Filter and diffuse light while maintaining an outward view
- In general, the higher the openness factor and darker the fabric, the clearer the view

### Manage Glare

- Minimize glare on televisions and home office computers
- The darker the fabric color, the better the glare control and view to the outside

### Block Damaging UV Rays

- The amount of UV ray blockage is the inverse of a fabric’s openness factor (e.g., a fabric with 10% openness blocks 90% of UV rays)
- Protect your furniture, carpets, artwork, etc., from fading due to harmful UV rays

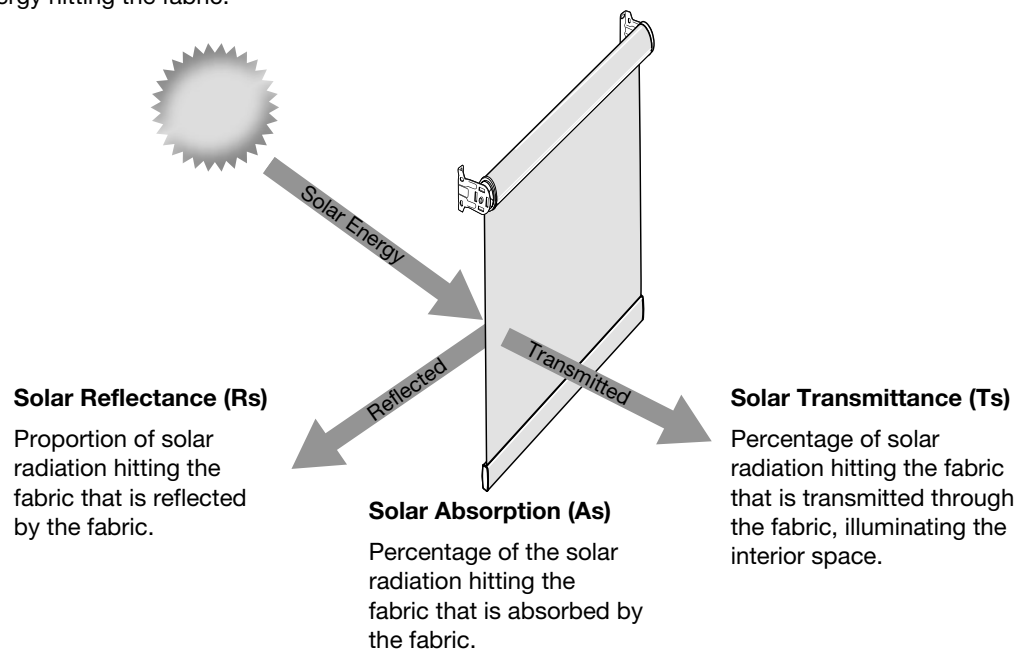
### Reduce the Temperature

- Lightweaves fabrics reduce heat transmittance, keeping rooms cooler and increasing the comfort level in the home
- The lighter the fabric color, the better the temperature control

**NOTE:** Solar shades do not offer nighttime privacy; lighted interiors allow inward visibility. If complete privacy is desired, a secondary treatment is necessary.

### Solar Optical Properties

When solar radiation reaches the shading fabric it is either reflected, absorbed, or transmitted. The sum of these values equals 100% of the solar energy hitting the fabric.



# Features

## Fabric Recommendations

Order all shades for the same room at the same time to ensure color consistency and minimize dye lot variation.

When displaying multiple shades in the same room, we recommend all shades be ordered with the same fabric orientation for a consistent look.

## Fabric Disclaimers

Due to the nature of the weaving process, some imperfections in the weave are normal.

**NOTE:** Select roller weaves may have “pinpricks” of light showing through.

Roll direction cannot be reversed after a shade is ordered.

Fabric appearance can vary based on changing light conditions in the room.

## Fabric Width

The fabric width is narrower than the finished shade width of the tube and its components.

Please note the fabric width of the shade will be less than the window measurement provided. The fabric deduction makes space for the brackets, clutch or motor and idle end, ensuring a correct fit. Change in tube size along with different clutch/ idle end combinations influence these deductions as do other options such as fascia. The information below is approximate and for guidance only.

Control Type	Fabric Deduction
Clutch	1¼"
Spring Loaded Cordless	1¼"
Deluxe Cordless	1¼"
Motorization	1⅜"

Inside Mount Deduction: ¼"

## Cleaning and Care Information

**Roller shade fabrics** are virtually maintenance free. If the shade is dusty, simply vacuum over it using an upholstery attachment. A dusting cloth can also be used to gently remove dust. Shades may also be gently wiped with a clean damp cloth. Allow the shade to dry completely before raising. Do **NOT** completely immerse.

**Solar shade fabrics** are virtually maintenance free. Only periodic vacuuming and an occasional cleaning using a mild detergent, soft brushing, and thorough rinsing is required. Allow the shade to dry completely before raising. Do **NOT** completely immerse.

## Large Window Sizing

Fabrics can be turned 90° clockwise (width for height) to accommodate wider windows. Fabrics turned width for height (referred to as railroaded) may curl along the edge. Springs Window Fashions performs extensive testing to ensure our customers receive high quality shades. On extremely wide shades, a slight V shape may appear in the center of the shade. This occurs due to the weight of the fabric and should be considered a normal characteristic.

## Pattern Alignment

Exact alignment of the fabric pattern across side-by-side shades is not possible. Vertical alignment of the shade fabric with cassettes is not possible. Fabrics with large repeat patterns are not centered on the shade.

## Fabric Certifications

**GREENGUARD Indoor Air Quality Certified® Fabrics:** Many Graber® fabrics have been certified by GREENGUARD Environmental Institute (GEI) to be low chemical- and particle-emitting fabrics, which provides a healthier indoor air quality. The process used for certification complies with established indoor air quality standards and is performed by a third party lab.



## Size Considerations

### Mounting Depth

Product Type	Control Type	Flush with Casing Mount (inches)	Minimum Depth Mount (inches)
No Valance	Cordless Lift	2¼	1⅞
	Continuous Loop Lift	3¼	2⅞
	Motorized Lift	2 <sup>15</sup> / <sub>16</sub>	2¼
Cassette Valance	Cordless Lift	3 <sup>15</sup> / <sub>16</sub>	1 <sup>9</sup> / <sub>16</sub>
	Continuous Loop Lift		
3" Fascia	Cordless Lift	3⅞	2½
	Continuous Loop Lift		
	Motorized Lift		
4" Fascia	Cordless Lift	4⅞	3½
	Continuous Loop Lift		
	Motorized Lift		

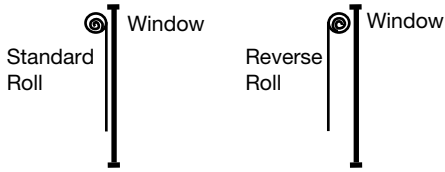
### Shade Size

Minimum/Maximum Shade Size				
Product Type	Shade Width		Shade Height	
	Minimum (inches)	Maximum (inches)	Minimum (inches)	Maximum (inches)
Cordless Spring Lift	20"	78"	18"	78"
Cordless Deluxe Spring	18"	78"	24"	78"
Clutch Roller Shade	14"	120"	20"	144"
Motorization*	14"	72"	13"	72"

\*See Motorization section for more information.  
See Fabric Style and Information chart for specific fabric limitations.

# Options

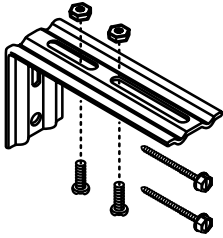
## Reverse Roll



- **No charge**
- Standard roll is where fabric rolls over the tube to the back
- Reverse roll is where the fabric rolls over the tube to the front
- Reverse roll not available with cassette valance, fascia valance, flat valance, or contour valance
- Roll direction cannot be changed after shade is manufactured

**NOTE:** For optimal privacy and light control, standard roll should be used.

## Projection Brackets

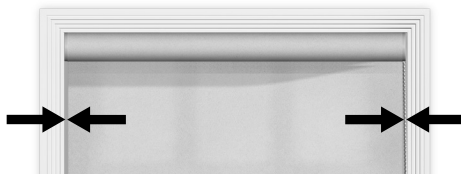


- **No charge**
- Available with Cordless Lift, Continuous Loop Lift, and Motorized Lift with cassette on outside mounts
- Two sizes: 3/4" and 4"

## Continuous Loop Lift (U.S. ONLY)



- **No charge**
  - Beaded chain and clutch system makes raising and lowering shade easy
  - Bead chain length is approximately  $\frac{7}{8}$  of the length of shade; customer can request a longer chain length at time of order
  - Beaded chain remains at same length, regardless of shade position
- NOTE:** Chain guide must be installed to operate shade.
- Choose left or right chain location
  - Optional cassette valance with fabric insert
  - Outside mount is recommended for maximum light control



Inside Mount Light Gap

## Options

### Deluxe Cordless Lift



- **For surcharge, see price charts**
- Shade raises on its own after you pull down slightly and release the handle.  
To lower, pull the handle down to your desired position.
- Sleek look with no chains
- A safer alternative for homes with children or pets
- Shade raises and lowers smoothly and easily
- Tension can be manually adjusted so user can raise shades at desired speed.
- Standard cord and tassels are color coordinated to fabric
- Optional cassette valance, fascia or inserted fabric valance
- Outside mount is recommended for maximum light control

### Cordless Lift

#### **Traditional, spring-style cordless lift**

- Available with or without valance options

# Options

## Motorized Lift



- Allows for easy operation of hard-to-reach or large window coverings
- Efficiently manages energy (heat gain and loss)
- Motorized Lift shades are cordless lift and are a safer choice for homes with children or pets
- Low-voltage motorization requires no costly electrical hard-wiring
- Available with multiple power source options and various control types
- Hold down brackets not available
- Available with standard or reverse roll; reverse roll is not available with valance options
- Optional fascia and inserted fabric valance
- Motor located on the left or right side; standard on the right

**NOTE:** Five-year warranty

Radio frequency motorization utilizing Somfy's proprietary RTS (Radio Technology Somfy) protocol. Featuring operation from virtually anywhere in the house, up to 65 feet. This low voltage motorization solution requires no costly electrical hardwiring. Convenient, single-channel remote available. Motorization components and accessories have a five-year limited warranty, excluding batteries.

- Motor located on right or left side; right side is standard
- Available with standard or reverse roll; reverse roll not available with valance options
- Available with Fascia and Inserted Fabric Valance
- Not available with hold downs
- Not available with fabric seaming or railroading

Minimum Width: 14"  
 Minimum Height: 13"  
 Maximum size: 72" x 72"

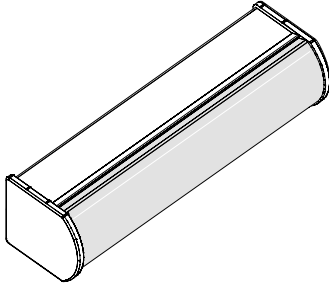
### Power Size Consideration Chart (see Collection Listing)

Fabric Group	Battery Tube AA Alkaline (square inches)	Dual Battery Tube AA Alkaline (square inches)	Plug-In Transformer (square inches)
A	<5,200	<5,200	<5,200
B	<3,500	≥3,500	≥3,500
C	<2,500	≥2,500	≥2,500
D	<1,750	≥1,750 and <4,000	≥4,000

**NOTE:** 72" x 72" = 5,184 square inches in area, this is the maximum shade size, shade size maximum limit may be smaller based on fabric group.

# Options

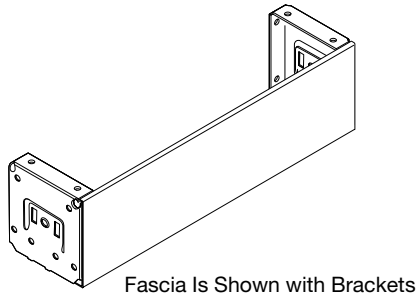
## Cassette Valance



- **For surcharge, see price charts**
- A curved, sleek, aluminum-extruded, fabric-covered valance is available as a surcharge option
- Valance fabric is not oriented to the shade fabric (e.g., on a patterned fabric, the pattern of the shade fabric and that of the valance fabric will **not** necessarily align)
- Regular roll only
- Not available with Motorization
- Minimum width: 20"
- Maximum width: 96"

**NOTE:** The cassette valance must be ordered at the same time as the shade. Fabric for cassette valances is turned width for height. In cases of normal fabric orientation, the pattern on the cassette valance runs perpendicular to the pattern on the shade. If the shade is railroaded, the pattern is the same. If a white, light-filtering valance fabric is ordered with a black or bronze aluminum finish, there may be visible tape lines in the finished valance.

## Fascia



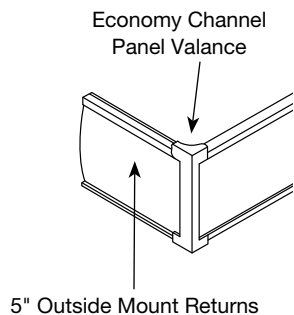
- **For surcharge, see price charts**
- Aluminum-extruded fascia is available in 3" and 4"
- Not available with Cordless Lift
- Color coordinated end covers are provided for outside mount
- Projection brackets are not available
- Regular roll only
- Minimum width: 18"
- Maximum width: 120"

### Fascia Colors

- Alabaster
- Black
- Bronze
- Clear Anodized
- White

**NOTE:** Fascia must be ordered at the same time as the shade.

## Insert Fabric Valance



The Inserted Fabric Valance is a traditional dust cover vertical blind valance with a 3½" strip of fabric inserted into the channel of the valance.

- Available with regular or reverse roll
- Valance fabric matches shade fabric
- Can be added to a roller shade after the time of ordering
- Minimum width: 18"
- Maximum width: 120"

## Spring Assist



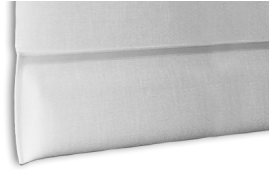
- **Surcharge option**
- Provides a lift assist for large, heavy shades
- Required with shades 69 square feet or more

# Options

## Hem Bar



Fabric-Wrapped Hem Bar



Sealed Hem Bar

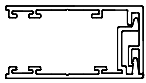
### Fabric-Wrapped Hem Bar

- Surcharge option
- Fabric from the shade is wrapped around an aluminum hem bar
- Color coordinated end caps

### Sealed Hem Bar (Standard)

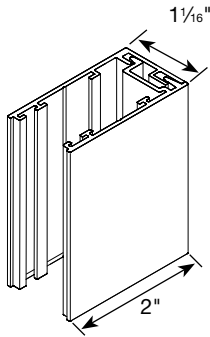
- Hem bar is completely enclosed within a heat-sealed pocket
- Clean, smooth look
- No exposed parts

## Blackout Channels



Sill Channel

Side Channel

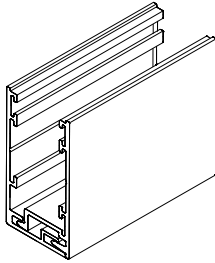
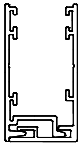


### • For surcharge, see price charts

- Blackout channels are extruded two-piece aluminum with synthetic pile inserts to eliminate light gaps
- Blackout channels not available with fabric-wrapped hem bar
- Side and sill channels may need to be cut on site for appropriate fit
- Minimum length: 18"
- Maximum length: 144"

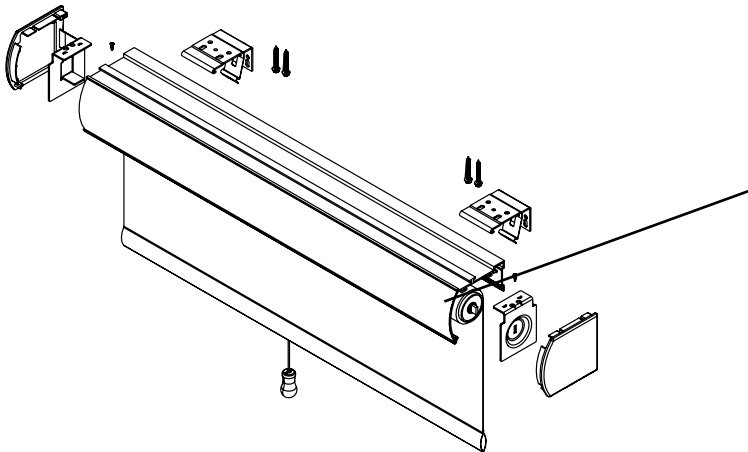
### Colors

- Alabaster
- Black
- Bronze
- Clear Anodized
- White

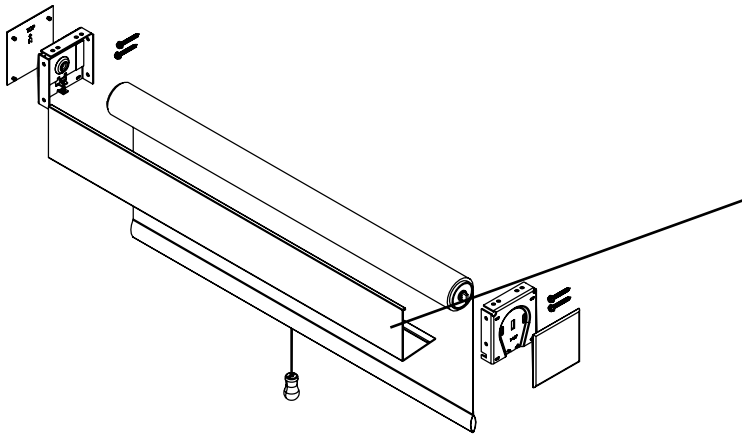


# General Information

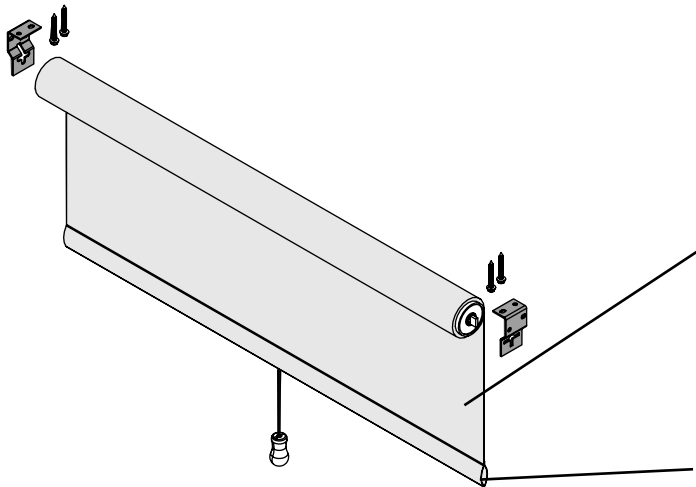
## Cordless Lift Shade Product Detail



- Cassette Valance (optional)**
- Cassette valance is a sleek, aluminum-extruded cassette system covered in fabric to match shade



- 3" or 4" Fascia (optional)**
- Available in 5 colors to coordinate with the fabric choice: Clear Anodized, White, Bronze, Alabaster, and Black



- Shade Fabric**
- Roller styles ranging from light and dark-colored solids to beautiful jacquard weaves
  - Solar fabrics available in wide range of openness
- Hem Bar**
- Optional Fabric-Wrapped Hem Bar shown
  - Heat-Sealed Hem Bar is standard (shown)

**NOTE:** All Cordless Lift shades need to be used on windows where the consumer can comfortably raise and lower the shade with their hand and have easy access. Very high or hard-to-reach should use Continuous Loop Lift or Motorized Lift shades, rather than Cordless Lift.

# General Information

## Continuous Loop Lift Shade Product Detail

